



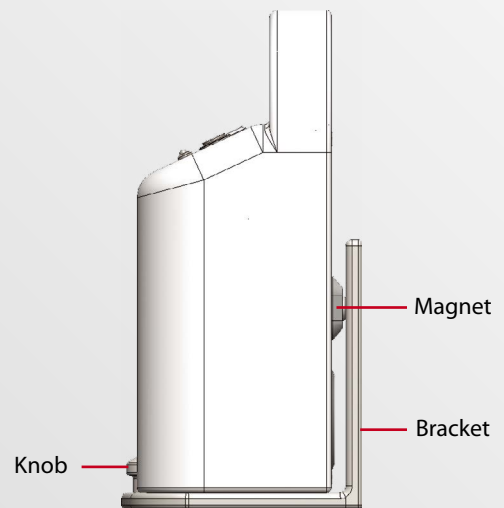
BRIDGE MATE MINI RADA SCAN TRANSPONDER GUIDE

MOUNTING

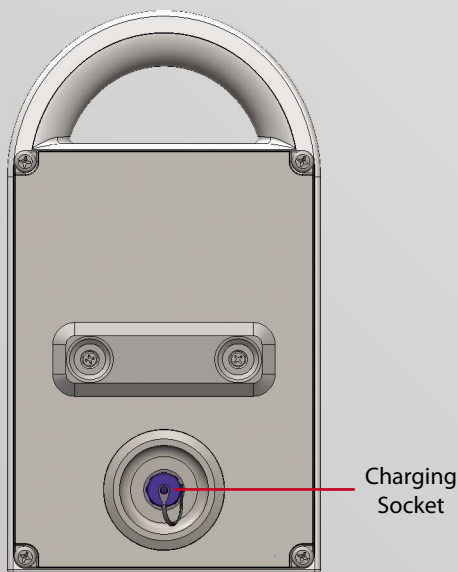
The Bridge Mate Mini RadaScan transponder is supplied with a mounting bracket, which should always be fitted so that the transponder's longest side is vertical, with the carrying handle at the top.

To Mount the Transponder:

1. Hook the foot of the transponder underneath the knob on the bottom of the bracket.
2. Rotate the transponder backwards until it is held in place against the bracket by its magnet.



MINI TRANSPONDER – SIDE



MINI TRANSPONDER – REAR

CHARGING

The unit must be fully charged before use. A full charge will take approximately 3 hours.

To Charge the Transponder:

1. Switch the transponder OFF.
2. Unscrew the blue cap on the rear of the unit.

Charge Light		Meaning
●	Amber	Charging
●	Green	Fully charged – disconnect charger
●	Red	Fault – return to Marine Technologies

3. Connect 24 V DC, ideally using the supplied mains charger. (The charge light on the front of the unit will turn amber.)
4. When the charge light turns green, disconnect the charger.
5. Replace the blue cap on the rear of the unit.

OPERATION

The transponder should always be operated with its longest side vertical, and its carrying handle at the top.

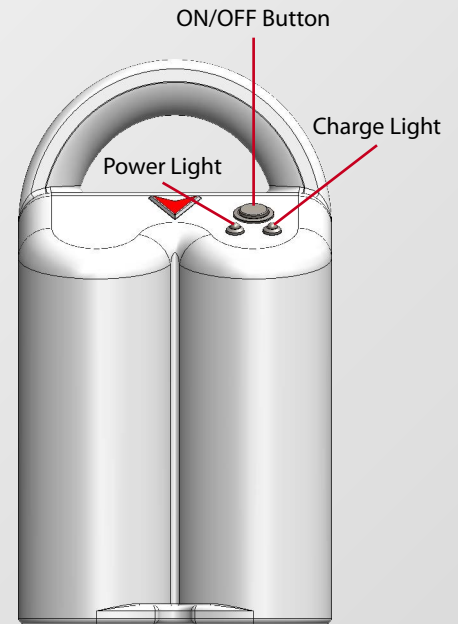
Switch the unit off when not in use to preserve the battery.

! Note: The transponder is water resistant to IP66; however, do not submerge the unit in water.

To Switch the Transponder ON:

1. Press the **ON/OFF** button on the top of the unit.
2. The **power light** should go green to show that the unit is on.

Power Light		Meaning
●	Green	Transponder ON
●	Red	Low battery – recharge unit
○	None	Dead battery – recharge unit



MINI TRANSPONDER – FRONT

Under normal conditions with a fully charged battery, the transponder will operate for up to 640 hours before it needs recharging.

When the power light turns red, the battery is low and should be charged as soon as possible. (The unit will continue to operate for approximately 4 hours after the power light first turns red.)



MAINTENANCE AND SERVICE

! Do not open the mini transponder.
It does not contain any user-serviceable parts.

If you experience any problems with the unit, return it to Marine Technologies.

MARINE TECHNOLOGIES, LLC

Marine Technologies, LLC · 1111 Decker Drive · Mandeville, LA 70471 · (985) 951-7771 · sales-us@mtllc.us

Marine Technologies, LLC · Hovlandsveien 44 · 4370 Egersund · Norway · (+47) 51 46 18 66 · sales-norway@mtllc.us

MT – Marine Technologies Pte, Ltd · 17D Tuas Road · Singapore 637817 · (+65) 3106 4070 · sales-singapore@marine-technologies.sg

www.Marine-Technologies.com

